

# Playhouse and Informal Teaching Spaces for a School in London

NOW FIRST LIMITED



# Eton Road Playhouse

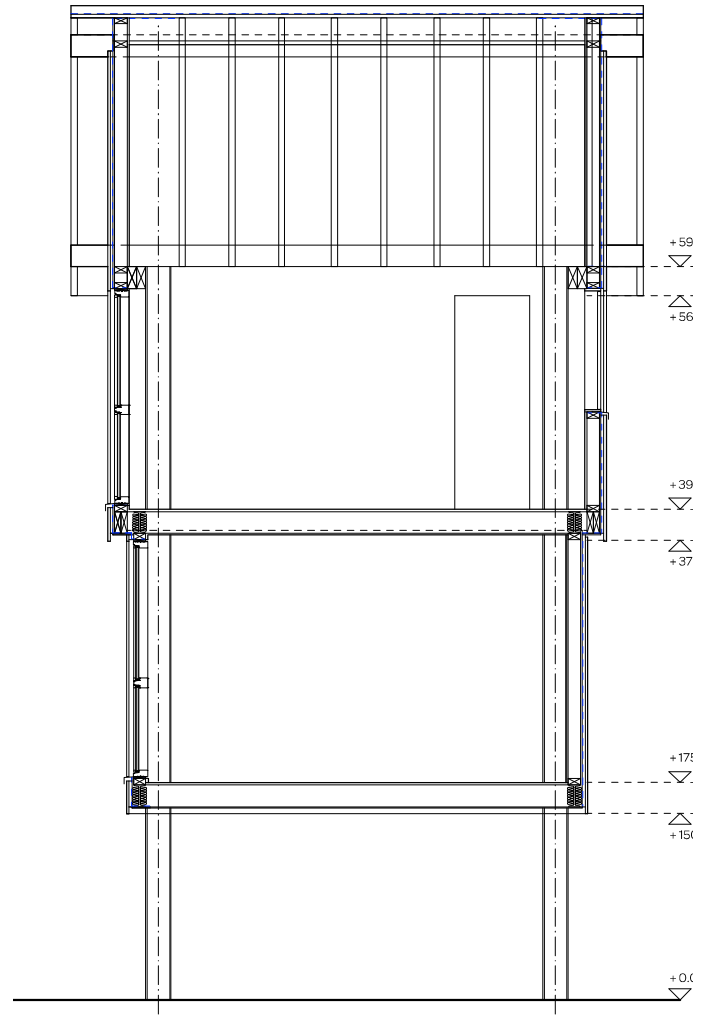
Size: 48m<sup>2</sup>  
Value: £35,000  
Status: Completed  
Type: New build special project for education

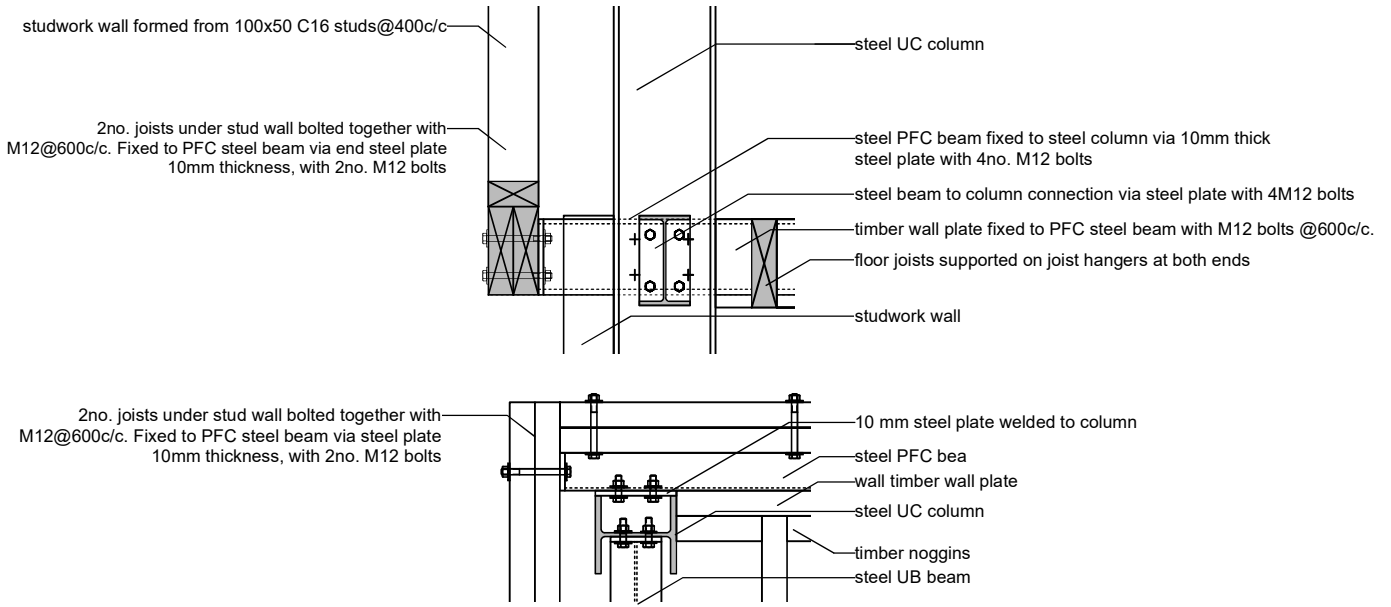
*A two storey structure for use as a teaching space and play space for children during their play time.*

The project was a charitable donation to the school by a private benefactor.

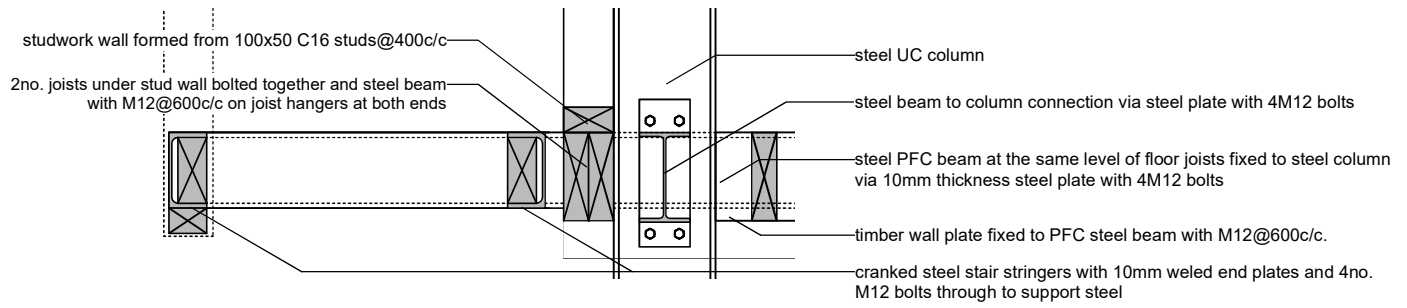
It was conceived as a modern 'folly' and designed primarily as a play space for the school children. Two internal spaces and an undercroft were created. The structure was wrapped in external circulation spaces that were also designed for play. These external spaces consisted of a slide, rope bridge and external circulation spaces linking the various levels.

We designed a steel frame structure and provided steel connection drawings that allowed the structure to be fabricated and installed on site.





**210.2 SECTION THROUGH STEEL BEAM TO COLUMN CONNECTION AT SECOND FLOOR**



**210.3 SECTION THROUGH STEEL BEAM TO COLUMN CONNECTION AT FIRST FLOOR**

